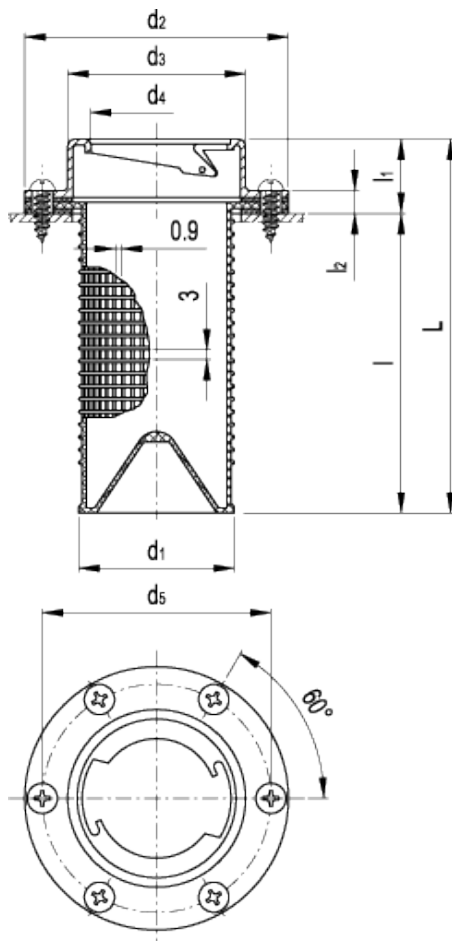


# FRB+C

Flange for bayonet cap



ELESA Original design



technical informations

Flange

Zinc-plated steel with bayonet attachment.

## Basket

Polypropylene based (PP) technopolymer, black colour. Resistant to solvents, oils, greases and other chemical agents.

## Flat gaskets

Cork impregnated MGS based rubber.

## Assembly

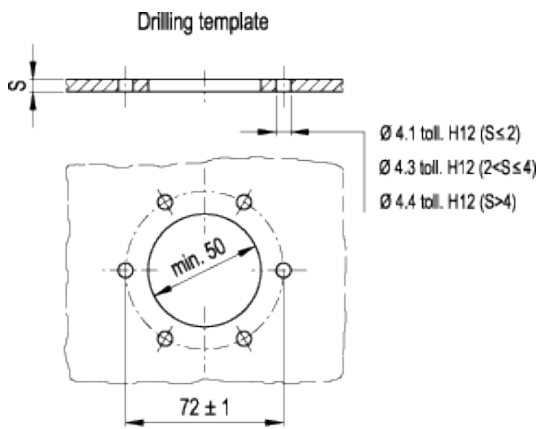
By means of six zinc-plated steel self-tapping screws TC-N10 ( $\varnothing$  4.8x19) UNI 6951-DIN 7971, included in the supply.

## Special executions on request (For sufficient quantities)

Bayonet flange without basket (execution FRB).

## Note

The breather cap to be coupled to the flange is not included.  
Breather caps type [SFN](#), [SFP](#), [SFW](#) can be used depending on the customer's requirements.



Standard Elements		Main dimensions									Weight
Code	Description	$d_4$	L	$d_1$	$d_2$	$d_3$	$d_5$	l	$l_1$	$l_2$	g
9201	FRB+C	39	114.5	49	83	58	72	94.5	20	7	125

This product had the following design awards:





ELESA and GANTER models all rights reserved in accordance with the law. Always mention the source when reproducing our drawings.

**STANDARD MACHINE ELEMENTS WORLDWIDE**